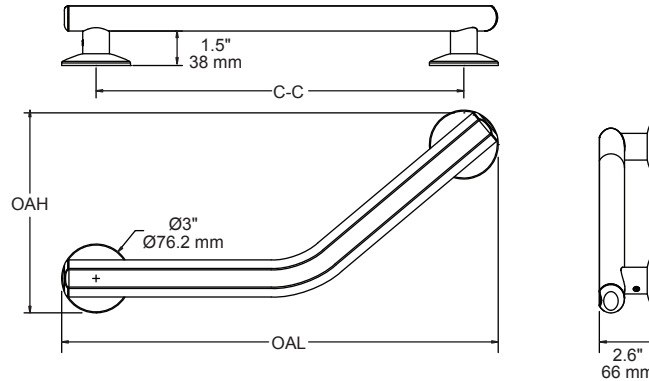


Designer Grab Bars

ANGLED GRAB BAR



MATERIALS:

Bar is constructed using extruded aluminum. Mounting flanges and posts are cast aluminum. O-ring seals provide protection against water infiltration on smooth mounting surfaces. Additional caulking may be necessary on rough or uneven surfaces. Meets ADA and ANSI A117.1-2003 for form and load bearing requirements.

INSTALLATION:

Grab bars will yield the maximum holding capacity when installed into solid wood wall studs and or wood blocking. Wood blocking is therefore preferred behind all wall surfaces where grab bars will be mounted.

Note: 5300 series grab bars are engineered to meet 500 lbs. pull when properly installed.

SPECIFICATION:

Surface mounted grab bar shall be model _____
(fill in model number) by Liberty Hardware Manufacturing Corporation.

SERIES NO.	C-C	OAL	OAH
S1FA5316	16" (406 mm)	19" (483 mm)	8.8" (224 mm)
S1FA5332	32" (812 mm)	35" (889 mm)	14.6" (371 mm)



A Liberty Hardware Brand